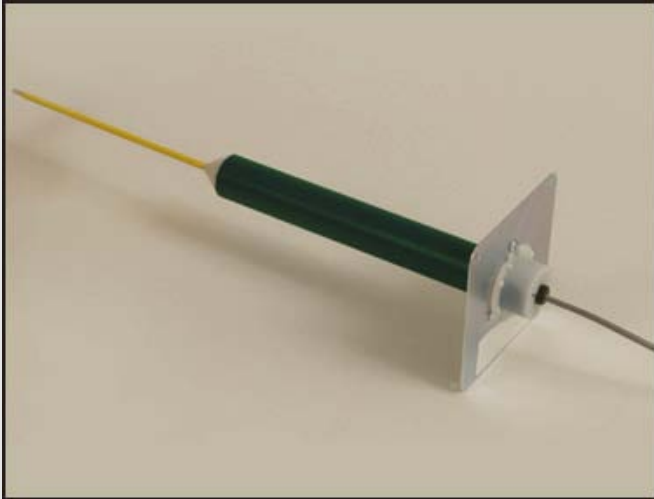


CASINO AIR 9000 ELECTRONIC FILTER ENHANCER



FEATURES

- Patented revolutionary electronic technology
- Significantly enhances small particle filtration efficiency of all conventional filters
- Virtually maintenance-free... just wipe off during normally scheduled filter changes
- Universally adaptable to all sizes & types of commercial HVAC systems
- Increases HVAC equipment life and energy efficiency
- Low power consumption (24v A.C. @.05 amp)
- Underwriters Laboratory and Canadian Standards Association Approved

APPLICATION

The Casino Air 9000 Filter Enhancer conveys a powerful energy charge to the air stream. This significantly increases the ability of existing HVAC filters to remove tar, nicotine, paper ash and other microscopic particulates.

Simply install the Casino Air 9000 in front of the prefilters of any commercial HVAC system. The electronic charge of the Enhancer greatly increases the collection capability of the filters downstream, regardless of their design. Conventional three-ply polyester pads will produce the best results, but this technology works with all types of filters.

The process is electrophoretic in nature and is remarkably effective at removing the most irritating and harmful particles from the air: smoke, dust, pollens, mold spores, viruses and chemical particulates.

The Filter Enhancer is fully patented, incredibly simple to install, requires almost no maintenance, and uses less than 2 watts of power.

SPECIFICATIONS

Applications:
Commercial IAQ

Nominal Input Voltage:
24

Input Range:
18 min to 30 max.

Input type:
Floating

Warranty:
Two years

Power Consumption:
< 2 watts

Current:
0.05 amps @ 24V

Dimensions:
1.1" x 10.6" L

Optional Extender:
6.4" L

Special filters:
None required

UL-CSA Certified:
Yes

Coverage:
1 Booster for each 5 tons of A/C or portion thereof

Spacing:
<600 FPM 8-16" from prefilter
>600 FPM 16-30" from prefilter

Installation Instructions

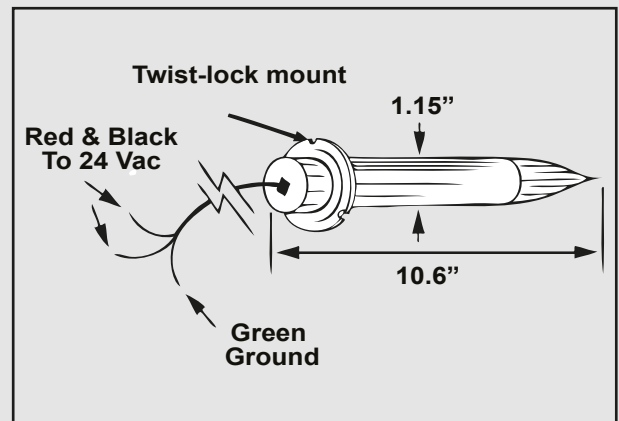
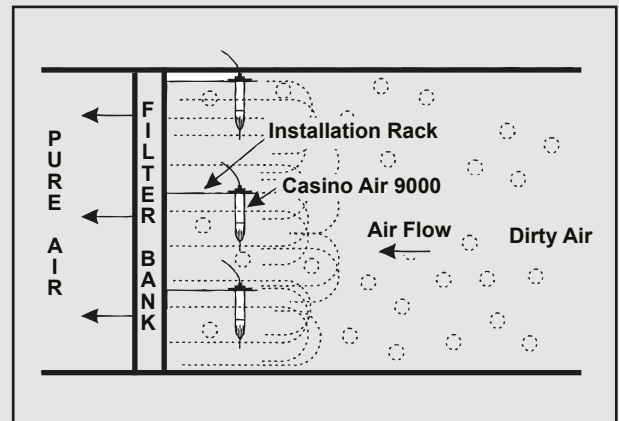
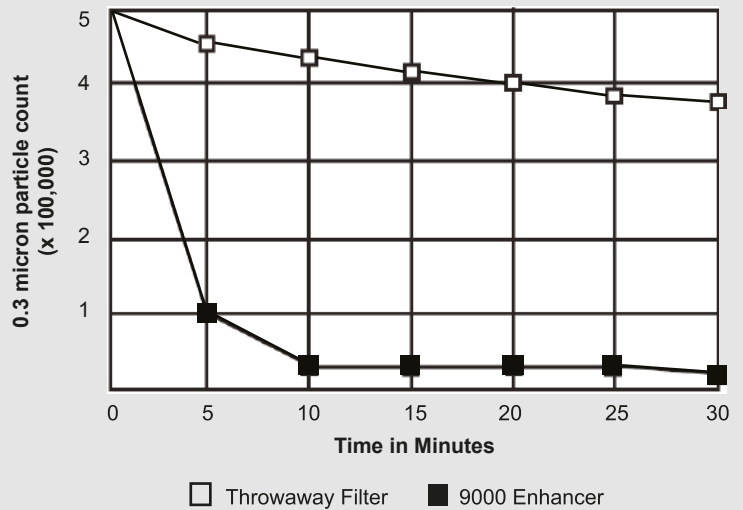
1. Drill 1.25" mounting hole in duct or rack so Booster mounts 8-18" upstream of initial filters (less than 600 FPM internal velocity) or 18-30" upstream (greater than 600 FPM)
2. Booster or extender tip must be 6" minimum from adjacent metal surfaces.
3. Booster or extender tip should be close to the center of the airstream. For multiple Booster installations, Boosters should be equally distributed in the airstream.
4. Fasten plastic tip to Booster nose cone or extender rod, if needed.
5. Align supplied mounting plate over the hole on the duct or rack and mount the plate using the (4) supplied sheet metal screws.
6. Slide the Booster through the mounting plate and duct or rack and twist into place.

Maintenance:

Tobacco smoke applications:

1. Visually inspect at each filter change.
2. Cut power to Booster and wipe clean with a denatured alcohol-soaked rag as required, no less than 4X/year.

Performance Comparison Test
Casino Air 9000 Enhancer vs. Disposable Particulate Filter



Casino Air Incorporated
12340 Northup Way
Bellevue WA 98005

Phone: 800-488-2326
Fax: 805-773-1599
sales@casinoair.com